

KOHLER®

INSTALLATION INSTRUCTIONS

安装说明书

珂灵
ACCLIV

Thermostatic Wall Mount B/S Faucet

33083T-9E2 挂墙式恒温花洒龙头
33085T-9E2 挂墙式恒温浴缸花洒龙头

安装之前

所有的资料是按最新发布的产品资料编写而成。科勒公司保留任何时候不经通知即可改变产品特性、包装或产品可供类型的权利。

说明书包括重要的安装、保养及清洁方面的内容，请把这些资料交给用户阅读。

注意事项：

1. 最小供水压力：0.05MPa(0.5bar)。
2. 推荐冷热供水的静态压力：0.3MPa(3bar)。
3. 如果供水压力大于0.5MPa(5bar)，安装减压阀。
4. 热供水温度最低：50°C；最高：80°C。
5. 推荐的热供水温度：65°C。
6. 温度的设定基本范围为：20°C到49°C。
7. 安全限位温度：37°C。
8. 最高混合温度：49°C。
9. 花洒最高工作温度及环境温度：60°C。请特别注意花洒同花洒连接的臂管须远离浴霸，否则可能损坏花洒及其密封件，甚至对使用者造成伤害。

BEFORE YOU BEGIN

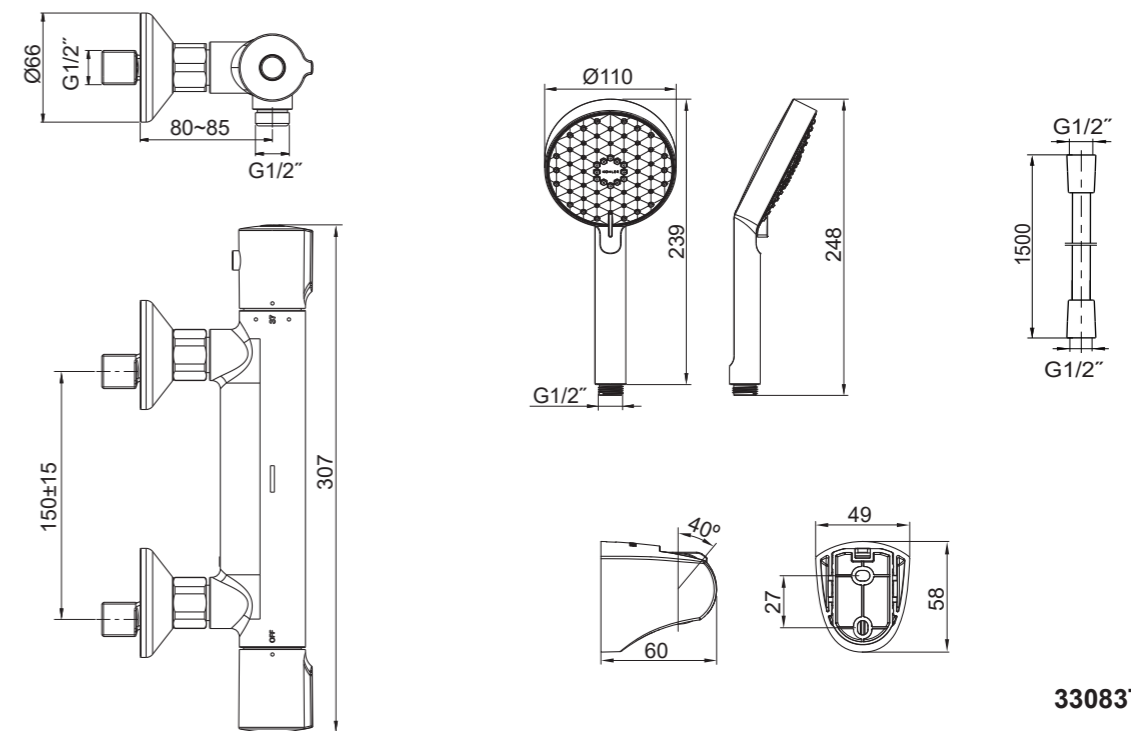
All information is based on the latest product information available at the time of publication. Kohler Co. reserves the right to make changes in product characteristics, packaging, or availability at any time without notice. Please leave these instructions for the consumer. They contain important information.

NOTES:

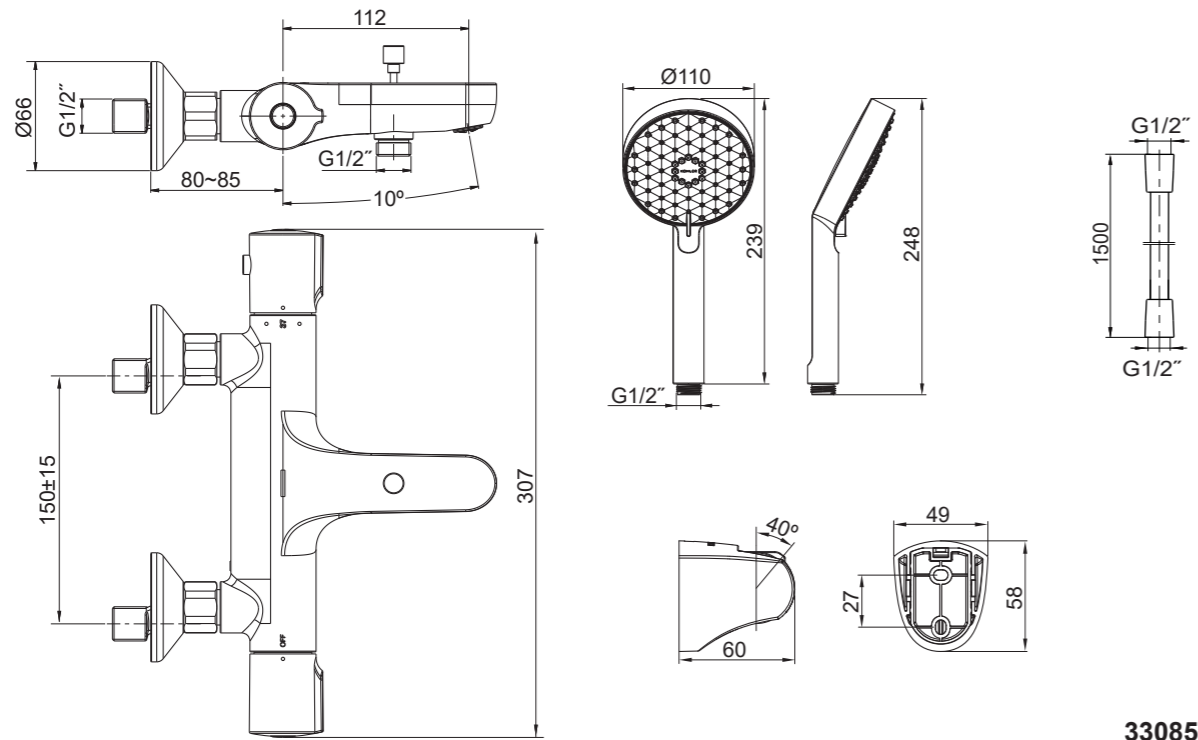
1. Minimum supply pressures: 0.05MPa(0.5bar).
2. Recommended supply static pressures: 0.3MPa(3bar) on hot and cold water.
3. Supply pressure greater than 0.5MPa(5bar): install a pressure reducer.
4. Hot water temperatures, minimum: 50°C, maximum:80°C.
5. Recommended hot water temperature: 65°C(energy-saving).
6. Setting range, approximately: 20°C to 49°C.
7. Safety stop at: 37°C.
8. Maximum mixed water temperature: 49°C.
9. The highest environment temperature for handshower & showerhead is 60°C. Please keep handshower, showerhead and shower arm away from heater, or it may become damaged and cause injury to the user.

安装尺寸

ROUGH-IN DIMENSIONS



33083T-9E2

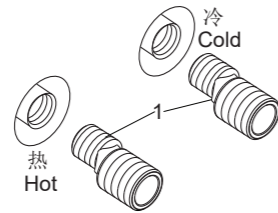


33085T-9E2

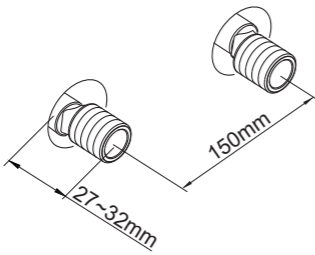
安装步骤

如何安装水龙头

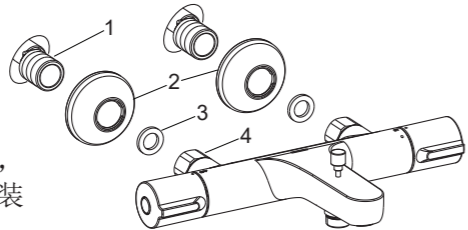
为使安装顺利，G1/2"内螺纹管道配件应已安装好，预留150mm的间距，保持水平。管道配件要垂直并不能凸出装修好的墙面。热供水管装在左边。彻底冲洗供水管，以清除管路中的杂质。



在两个接头(1)涂上密封胶或缠绕足以密封的密封胶带，旋入冷热水管中。调节两个接头，使其中心距离为150mm，并保持同一水平。它们凸出墙面的尺寸应该在27到32mm之间。



在装饰盖(2)背面边缘涂一圈油灰，将其装到接头(1)上，将垫片(3)装入螺母(4)，将螺母旋到接头上，并用带状扳手拧紧。调整装饰盖使其紧贴墙壁，去除多余油灰。



INSTALLATION

How to Install the Faucet

To perform installation, installer must provide G1/2" female supply fittings, spaced 150mm apart and horizontal. The supply fittings should be vertical and not beyond the finished wall. Hot supply pipe must be located on the left. Flush the water supply pipes thoroughly to remove debris.

Use appropriate thread sealants or thread tape on the threads of offset connectors(1). Install two offset connectors into the hot and cold supply pipes. Adjust the center-to-center distance between the connectors to 150mm horizontally. They should extend 27 to 32mm beyond the finished wall.

Apply a ring of putty on the back of escutcheons(2). Install the escutcheons onto connectors(1). Insert washers(3) into the nuts(4). Thread nuts onto the connectors and tighten by strap wrench. Adjust the escutcheons until against the finished wall. Remove any excess putty.

KOHLER®

SERVICE PARTS

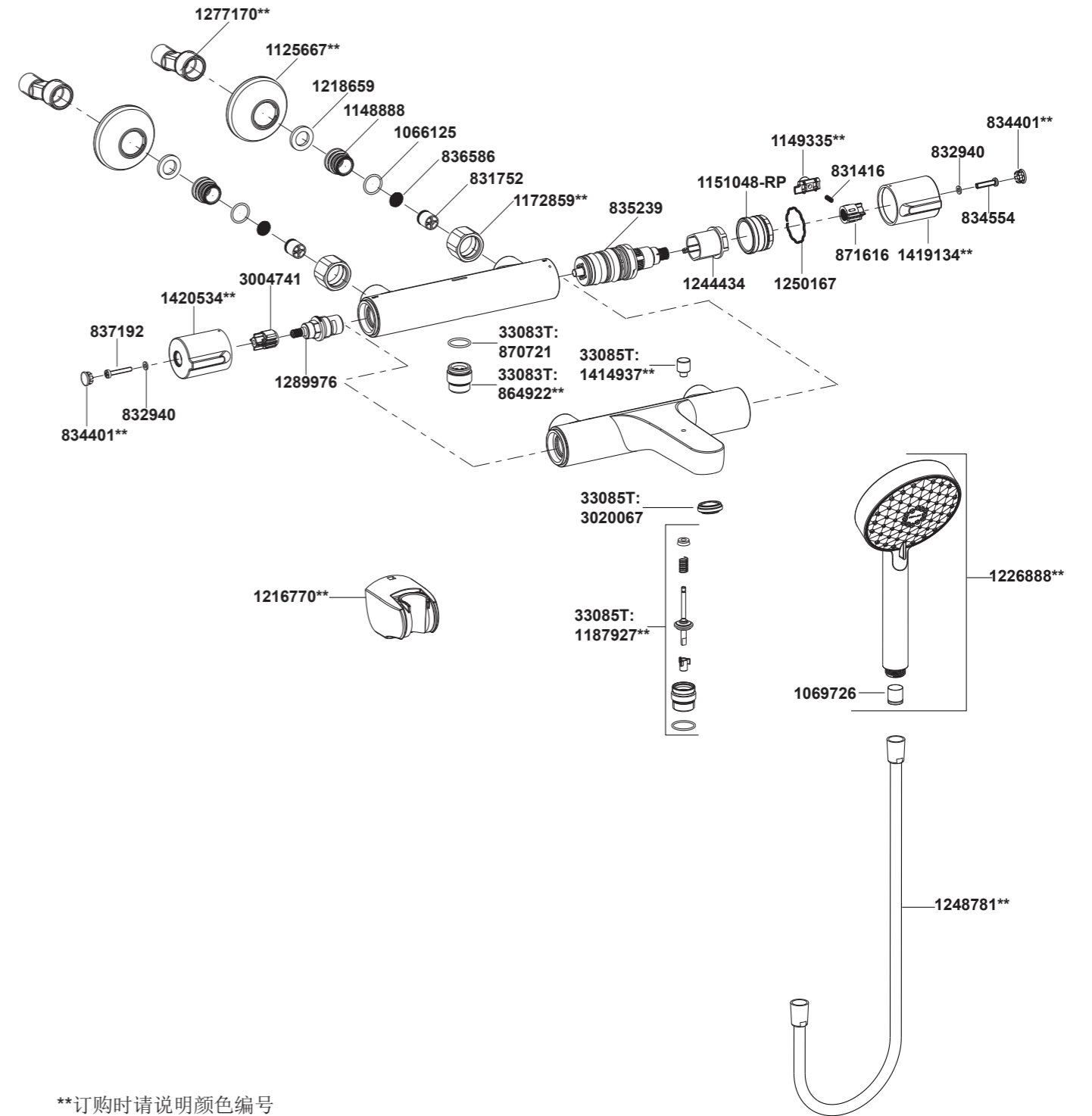
零件图

珂灵

ACCLIV

Thermostatic Wall Mount B/S Faucet

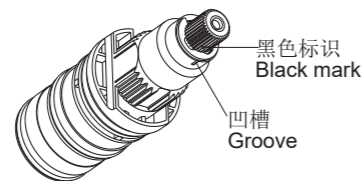
- 33083T-9E2 挂墙式恒温花洒龙头
- 33085T-9E2 挂墙式恒温浴缸花洒龙头



**订购时请说明颜色编号

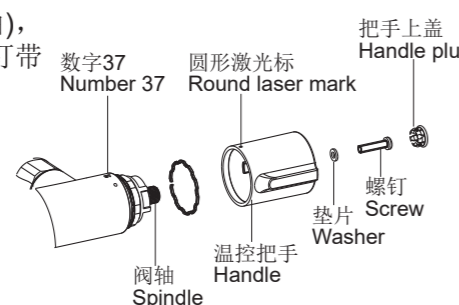
**Color code must be specified when ordering

注意： 确保拆卸、安装过程中不要转动温控阀轴。如不小心转动了阀轴，要调整阀轴使外齿上的黑色标识与相邻的塑料套上的凹槽对齐，或者按前述方法进行调整。



NOTE: Do not turn the cartridge when reinstalling it. If you turn it accidentally, please adjust it and be sure that the black mark is correctly in line with the groove, or readjust it per the steps of verification and setting.

安装温控把手(不要转动温控阀轴), 使圆形标同数字37对齐, 拧紧螺钉带垫片, 安装把手上盖。



Install the temperature selector(without turning the spindle), aligning number 37 with reference mark. Tighten the handle with the screw and washer. Put on the handle plug.

使用说明

HANDLE OPERATION

慢慢旋转温控把手即右把手, 调整温度, 安全限位温度为37°C。如果想得到更高温度, 按住按钮继续逆时针旋转。水流量是通过左把手来控制的。

The temperature is set by slowly turning the temperature selector(right-hand handle). For safety reasons, there is a stop that limits temperature to 37°C. To get a higher temperature, push the button and continue turning the temperature selector counter-clockwise. Water flow is set by turning the left handle.

顺时针旋转右把手为冷水, 逆时针旋转为热水。

Turn the right handle clockwise for cold water, turn counter-clockwise for hot water.

对于33085T-9E2, 龙头切换器处于正常位置时出水口出水; 将切换器按钮轻轻提起, 花洒出水。

For 33085T-9E2, water flows out from spout when faucet diverter is in the normal position. Lift the diverter knob gently, shower works.

清洗说明

CLEANING INSTRUCTIONS

适用于所有加工处理过的表面: 以中性肥皂水清洗镀层表面, 再以干净的软布彻底擦干整个表面, 许多清洁剂, 比如氨水、去污粉及洁厕灵等, 会对电镀表面造成伤害, 切忌使用。

All Finishes: Clean the finish with mild soap and warm water. Wipe entire surface completely dry with clean soft cloth. Many cleaners may contain chemicals, such as ammonia, chlorine, toilet cleaner etc. which could adversely affect the finish and are not recommended for cleaning.

有磨损性的清洁用具或清洁剂也不可适用于科勒牌的水龙头及其配件上。

Do not use abrasive cleaners or solvents on Kohler faucets and fittings.

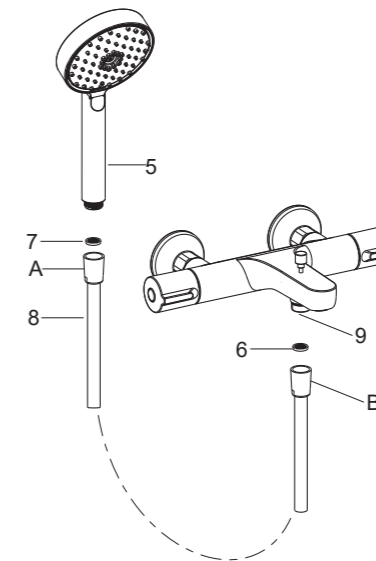
如何安装花洒

先去掉出水口接头保护套。

将垫片(7)装入到软管(8)的A端, 然后将软管A端与花洒(5)连接。

将垫片(6)装入到软管的B端, 然后将软管B端与出水口接头(9)连接。

锁紧所有衔接螺母。



How to Install the Handshower

Remove the guard on the outlet connector firstly.

Put the washer(7) into end A of the hose(8), and then connect end A of the hose to the handshower(5).

Put the washer(6) into end B of the hose and connect end B of the hose to the faucet outlet(9).

Tighten all the connectors.

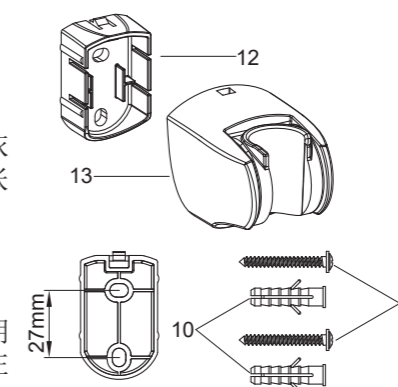
如何安装托架

在墙面选一合适的位置安装托架。

根据孔距在墙面标记钻孔的位置, 依据胀塞(10)直径打孔, 然后安装胀塞。

旋紧螺钉(11), 使底座(12, 平面朝上)固定紧贴墙壁。将托架(13)扣在底座上, 使凸台嵌入豁口。

把花洒挂在托架上。



How to Install the Bracket

Determine a suitable location on the finished wall to install the bracket.

Mark bracket base mounting hole locations on the wall according to the dimension. Drill two holes on the finished wall, the holes should match the anchors(10). Install the anchors.

Tighten screws(11) to secure bracket base(12, flat side upward) on the wall. Install bracket(13) onto the bracket base and lock it in place.

Hang handshower on the bracket.

安装结果检查

INSTALLATION CHECKOUT

检查并确保所有的衔接处都拧紧。确保手柄处于关闭位置。

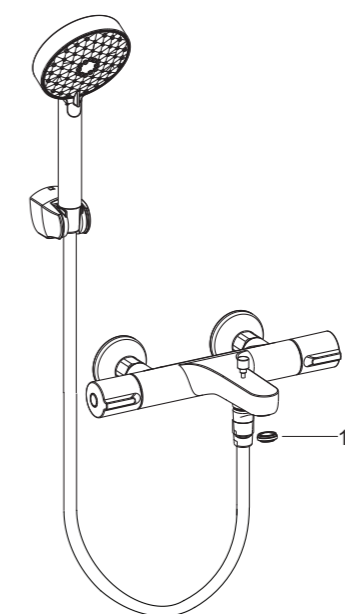
Ensure all coupling nuts are tightened. Ensure the handles are in the off position.

打开排水系统和主要供水源, 检查并修理有漏水的接口。

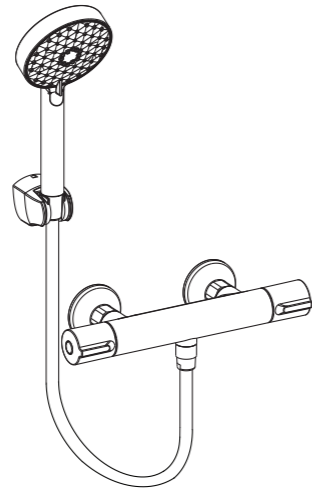
Turn on the main water supply and check for leaks. Repair as needed.

对于33085T-9E2, 取下手持花洒。用硬币将起泡器(14)拆下。打开冷热水, 让水流出约一分钟以清除杂质。检查渗漏, 并清洗起泡器。关闭水龙头, 装回起泡器和花洒。

For 33085T-9E2, remove handshower. Remove aerator(14) with coin. Run hot and cold water through the faucet for about one minute to remove any debris. Check for leaks. Remove any debris from the aerator. Shut off the faucet, reinstall the aerator and handshower.



对于33083T-9E2, 取下手持花洒。打开冷热水, 让水流出约一分钟以清除杂质。



For 33083T-9E2, remove handshower. Run hot and cold water through the faucet for about one minute to remove any debris.

Check for leaks. Shut off the faucet, reinstall the handshower.

检查渗漏。关闭水龙头, 装回花洒。

维护与保养

CARE AND MAINTENANCE

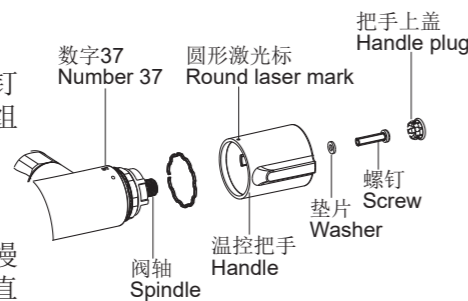
温度测试与调整

温度测试前, 应确保供水系统充分且有较高的温度。温度把手在37°C位置时, 打开龙头让水流出。进行温度测量, 出厂时温度设定在36~38°C范围内。如果超出这个范围, 要进行调整。调整步骤如下:

Verification and Setting

Make sure that the water feeds of the faucet have reached their highest temperature by running the water sufficiently. With the selector in position 37°C, the water temperature must be within a range of 36°C and 38°C, as measured by a thermometer. If not, the installer can adjust the setting. The setting steps are as follows:

取下把手上盖, 用螺丝刀取下螺钉(请勿丢失垫片), 拔出温控把手组件。



Remove the handle plug. Uninstall the screw with screwdriver (Do not lose the washer). Remove the handle kit.

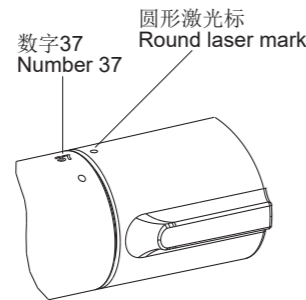
在正常水流下, 由冷水位置开始慢慢转动温控阀轴(保持同一方向)直至获得37°C水流。

With the faucet on "cold" normal water flow, slowly turn the temperature selector (always in the same direction) until water temperature reaches 37°C.

如果温度超过38°C, 回到冷水位置重新调整。

If the temperature goes over 38°C, go back to the "cold" setting and reset it.

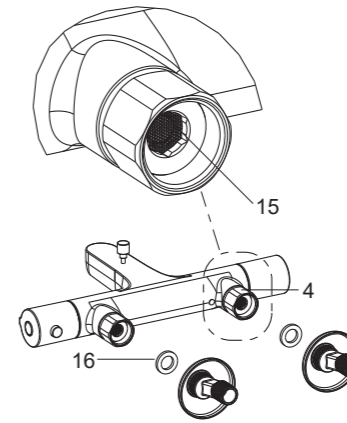
温度稳定后, 不要转动温控阀轴, 安装温控把手, 使得温控把手上的圆形激光标与本体上的数字37对齐。如图示锁紧螺钉带垫片, 安装把手上盖。



When the temperature is stable, do not turn the cartridge spindle. Install temperature handle, make sure the round laser mark on the temperature handle aligned with the number 37 on the faucet body. Tighten the screw with washer. Install the handle plug as shown.

如何清洗滤网

滤网(15)可以起到保护水龙头的作用, 但长时间使用后, 水垢或杂质可能会堵塞滤网降低水流量。



如有类似情况发生, 卸下龙头, 从接头(4)内取出垫片(16), 清洗滤网(15), 然后按照图示装回垫片和龙头。

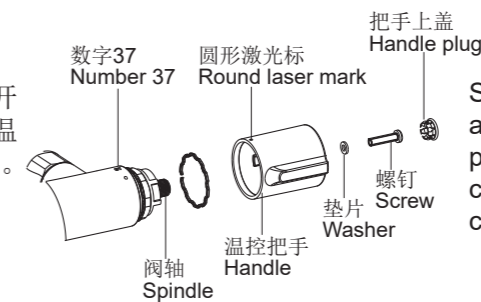
How to Clear the Filter

The filters(15) can protect the faucet, but it may get obstructed and reduce water flow after long time.

When this happens, uninstall the faucet, take out the washers(16) from connectors(4). Clean filters(15), then reinstall the washers and faucet as shown.

如何清洗温控阀

如果供水水质较硬或长时间使用, 水垢或杂质会阻塞温控阀上的滤网, 流量会降低。需要清理请按照下列步骤进行:



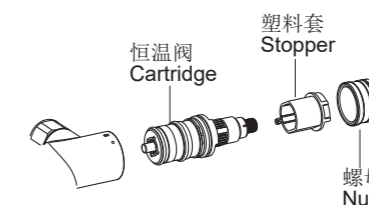
关闭供水系统, 使流量阀处于打开位置后进行温控阀的拆卸作业。温控阀是较敏感的配件, 要十分小心。

How to Clear the Thermostatic Cartridge

Very hard water can obstruct filters on the thermostatic cartridge and reduce water flow. Please clean the cartridge as follows:

Shut off the water supply of the faucet and open the water flow handle, then proceed to remove the cartridge. The cartridge is a sensitive part, please be careful.

拆卸前确保指示标识与数字37对齐。取下把手上盖, 用螺丝刀取下螺钉(请勿丢失垫片), 拔出温控把手组件。

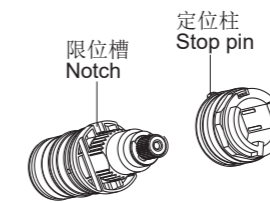


将螺母和塑料套卸下。小心地卸下温控阀。用热醋进行清洗。

Make sure the reference mark is aligned with number 37 before your action. Remove the handle plug. Uninstall the screw with screwdriver (Do not lose the washer). Remove the handle kit.

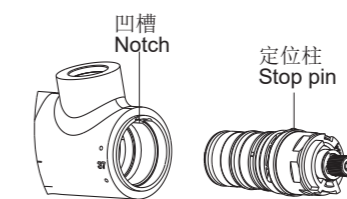
Unscrew the nut and stopper. Remove the cartridge cautiously. Clean the thermostatic cartridge by soaking it in warm vinegar.

清洗后, 将塑料套和螺母(限位组件)装到温控阀上, 使塑料套的定位柱嵌入温控阀的限位槽内。



After cleaning, install the "stop assembly" back on the cartridge, adjust the stop pin and fit it into the notch.

将塑料套的定位柱与龙头本体内孔凹槽对齐, 装入温控阀并且锁紧螺母。



Install the assembly cartridge and stop in the body, adjust the stop pin into the notch.